

FIELD TERMINABLE STRAIGHT BOOT PLUG

1.0 Scope

This document provides installation instructions for Molex Field terminable plug.

2.0 Product Description

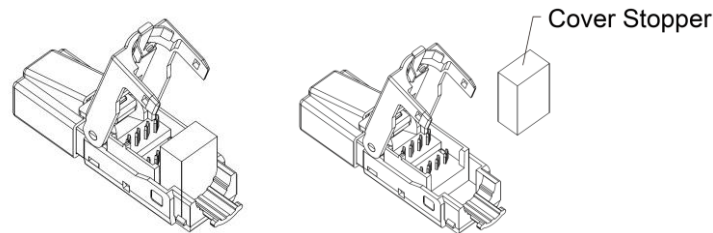
FIELD TERMINABLE STRIGHT BOOT PLUG

3.0 Procedure

Tools required: Plier, cable strippers, wire clippers, and screwdriver.

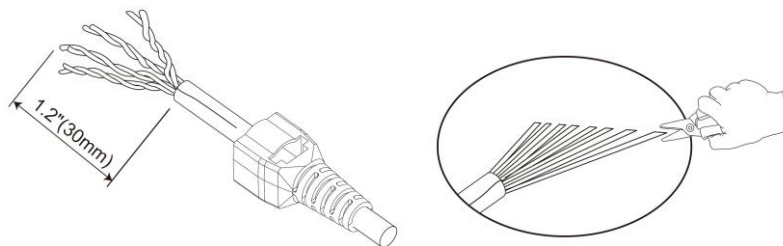
Step 1

- Remove the stopper before installation.

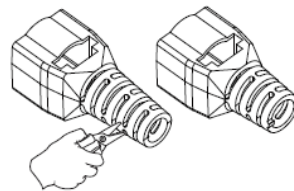


Step 2

- Insert cable into strain relief boot, strip off 1.2 inch of cable jacket, fold back the drain wire.

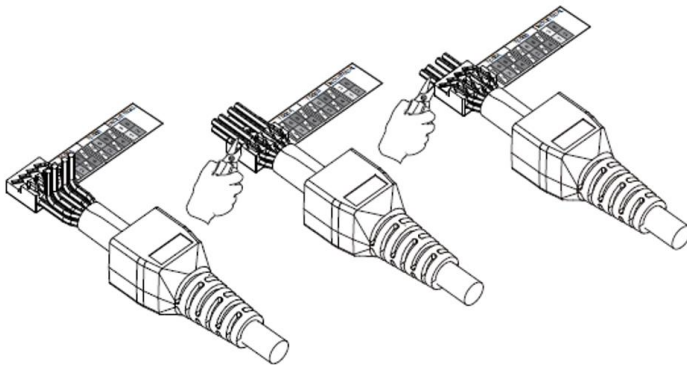


- Boot adjustment:** Cut the end of boot to fit your cable OD.



Step 3

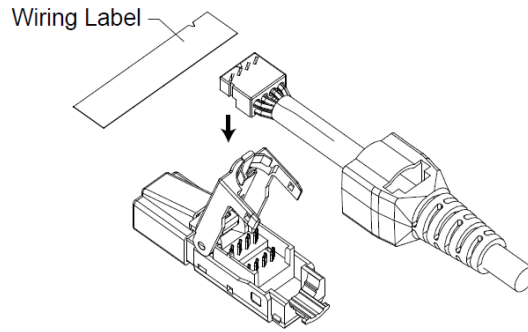
- Fan out all four twisted pairs, following the color-coding label and allocate each conductor's into proper slots on wiring cap. Trim the ends of conductors.



JACK PIN DESIGNATIONS	TIA / EIA T568A	TIA / EIA T568B	INDUSTRIAL
	1	White/Green	White/Orange
2	Green	Orange	Orange
3	White/Orange	White/Green	White Blue
6	Orange	Green	
4	Blue	Blue	
5	White/Blue	White/Blue	
7	White/Brown	White/Brown	
8	Brown	Brown	

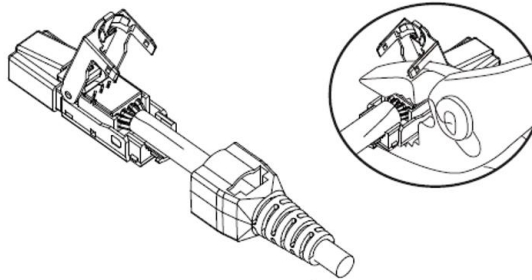
Step 4

- Remove the wiring label before place wiring cap on plug.



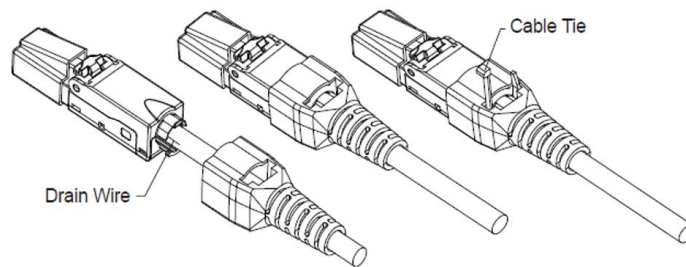
Step 5

- Place the wiring cap onto plug, use plier to clamp wiring cap until it completely snap-in to effect the connection.



Step 6

- Close plug cover, make sure the drain wire is in proper contact with grounding clip on plug.
- Pull back strain relief boot to cover the plug, fasten supplied cable tie to secure grounding contact.



Unload the cable

- Cut off cable tie, remove the boot. Using flat screw driver and pry gently on plug cover one end first and the other end subsequently to open it.

