

### Improved Iconic Series Face Plates

**The following document will show the installation process of the Molex CES DataGate outlet into the new style of plate using our mounting adaptor.**

With the release of the Molex developed Clipsal Bezel for Pro- and Iconic- Series Face plates, there is a completely different mounting format for the installation of the DataGate outlets.

There are the two main plate styles, both using the same mounting solution. On the left is the Pro Series which uses a more secure cover plate design and, on the right, the standard Iconic Series.



Pro Series (secure cover not shown)

Iconic Series (cover not shown)



Green latch should be in the lock position during the Bezel installation  
(picture on the right). Latch not shown on the pictures below

ENGINEERING RECORD NO: <b>ER796102</b>	SAP NO: <b>186011501 PS AS</b>	Doc No: <b>186011501 PS</b> Doc part: <b>AS</b>	REV- 1
<a href="http://www.molexces.com/">http://www.molexces.com/</a>			



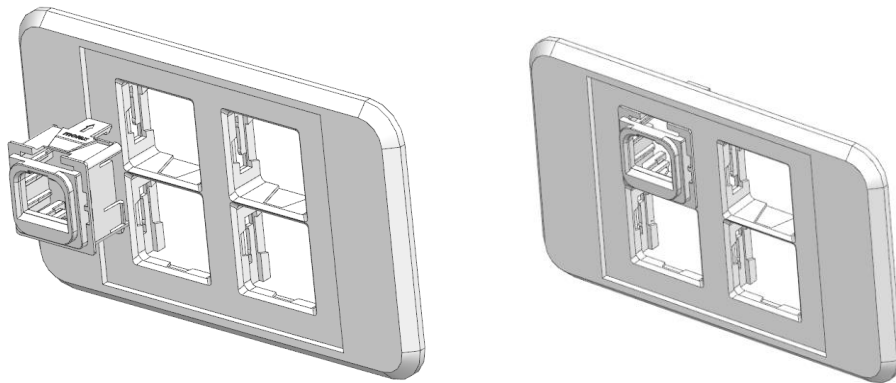
There are four varieties of the Face plates (see below) - front with cover and the rear views showing the mounting latch. Note: the double is a Pro Series

## Installation process

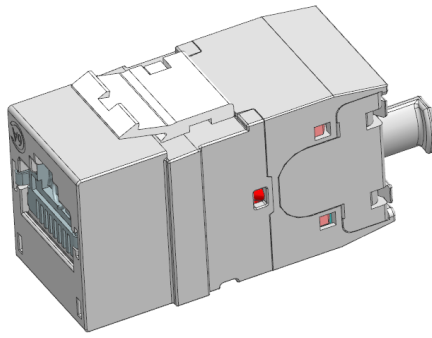
The Bezel should be installed from the front side of the Face plate.

1. Bezel can be installed in any desired orientation, based on installation requirements.

To instal Bezel: a - align Bezel and port, b – push Bezel all away inside the port until the four (4) Bezel latches click.

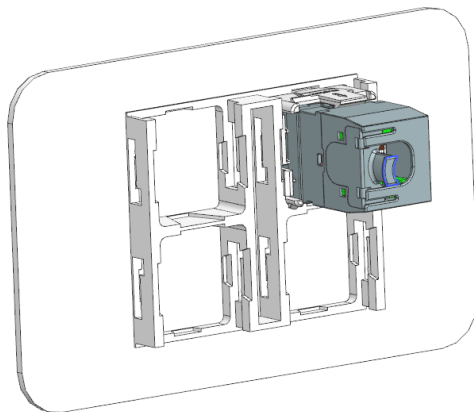


Repeat the same procedure with all Bezels.

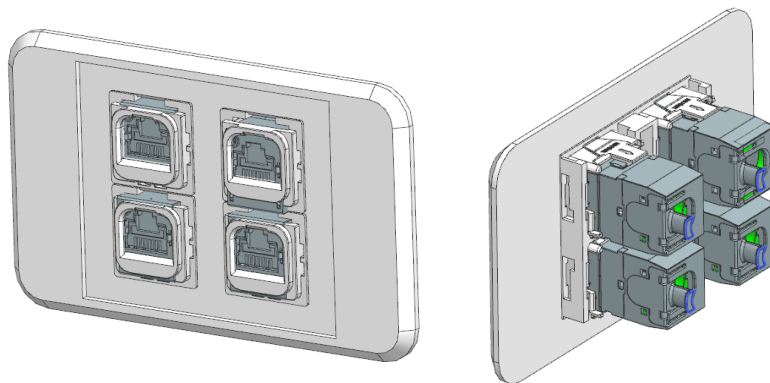


**WARNING: REMOVE THE RJ-45 JACK LATCH (WHITE COLOR) PRIOR TO TERMINATION.**

Terminate Jacks and plug into the Bezel as shown below. Latch of the Bezel should lock the Jack in place.



## 2. Complete installation of all Jacks



3. After all Jacks installed into the Face plate, the Face plate should be secured in the Outlet.  
(not shown)
4. After all steps completed, the Cover should be snapped on the Face plate assembly.

